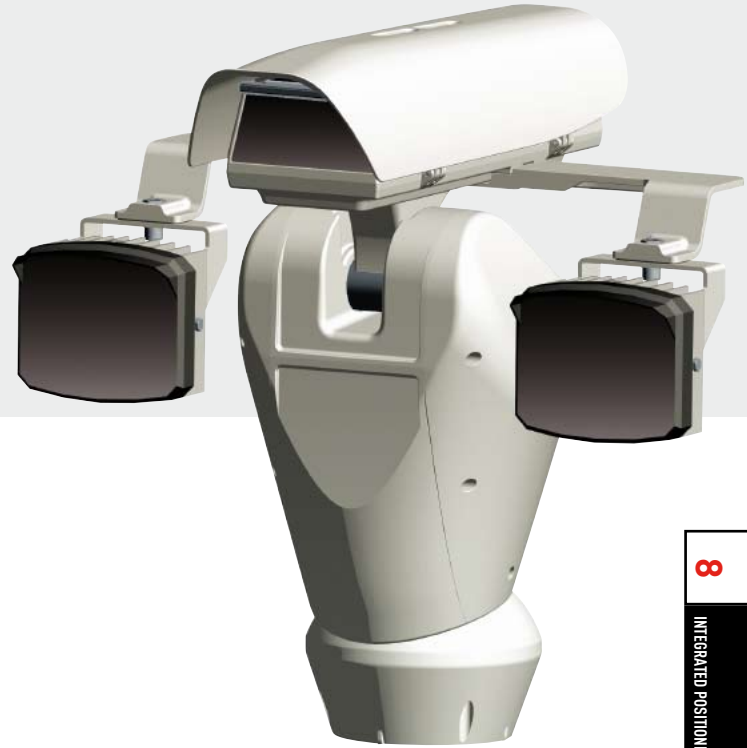


- Unit comprehensive of housing, P&T head and telemetry receiver
- Two infrared LED illuminators for the night surveillance
- Available with/without camera and with/without wiper*
- IP66
- Variable speed: 0.1°-40°/s Pan and 0.1°-30°/s Tilt
- OSM configuration
- Multiprotocol



UPT1PVTA000C + UPTWBTA + IR20BD

ULISSE has been specifically created for applications of video surveillance in external environments.

This new positioning system is made up of a high performance P&T head, camera housing, and telemetry receiver. Furthermore, it integrates a bracket for two infrared LED illuminators.

The rotation on the horizontal axis reaches +/-160° with a variable speed up to 40°/s while the amplitude on the vertical axis varies from -90° to +40° with a max speed of 30°/s.

ULISSE controls the functions of autopan and patrol with a tracking accuracy of 0.02° on preset positions recalled. Preset positioning and zoned areas can be labelled with a maximum of 20 characters. Patrol sequences can also be varied with different speed settings in order to customize a perfect patrol pattern.

4 local alarm inputs and two relay outputs allow for intelligent local action (Scanning to a specific preset or patrol sequence on alarm) and the switching in IR mode (only for integrated block camera versions).

To allow an optimal functioning of the on board electronics, the housing is equipped with thermostatically controlled heater and sunshield.

The housing can be supplied, as option, with a built-in wiper which does not interfere with the viewing range of the installed camera.

Available versions with or without block camera and with or without integrated wiper.

In addition to the On Screen Menu set-up, the system is equipped with an RS232 interface allowing the possibility to update to the latest firmware version.

The positioning system is controlled through a RS485/RS422. The telemetry signal can be transmitted in an active way for chain configuration of several ULISSE units together.

Multiple communication protocols are embedded.

The positioning unit can be used in several kinds of installations, such as: coast and border patrol, harbour control, urban settings, highway and traffic monitoring, stadiums, industries, prisons or military applications, and perimeter surveillance.

The correct unit working is guaranteed only with the use of Videotec IRBD-series and DERWENT UFLED, RAYTEC 100, RAYTEC 200 (with U bracket).

* for further specs on the block camera, refer to the technical data sheet "ULISSE CAMERA, Positioning unit with integrated camera".

ULISSE WITH IR LED ILLUMINATORS

POSITIONING UNIT FOR DAY AND NIGHT SURVEILLANCE



TECHNICAL DATA

ULISSE							
Model	PAL block camera	NTSC block camera	Sunshield	Power supply 230Vac	Power supply 24Vac	Wiper	IR bracket
UPT1SVRA000C			•	•			•
UPT2SVRA000C			•		•		•
UPT1SVTA000C			•	•		•	•
UPT2SVTA000C			•		•	•	•
UPT1PVRA000C	•		•	•			•
UPT2PVRA000C	•		•		•		•
UPT1PVTA000C	•		•	•		•	•
UPT2PVTA000C	•		•		•	•	•
UPT1NVRA000C		•	•	•			•
UPT2NVRA000C		•	•		•		•
UPT1NVTA000C		•	•	•		•	•
UPT2NVTA000C		•	•		•	•	•

GENERAL

For missing specs refer to "ULISSE" data sheet, standard version

Build in die-cast aluminium and ABS

Epoxy polyester powder painting, RAL9002 colour

Top mount (OTT)

Transmission through toothed belt

Slip-ring

Electronic limit switches

Plug installation thanks to connector and easy replacement on-site

Zero backlash

Supplied with instruction manual

The correct working of the unit is guaranteed only with the following IR LED illuminators:

- Videotec IRBD series
- DERWENT UFLED
- RAYTEC 100 (with U bracket)
- RAYTEC 200 (with U bracket)

MECHANICAL

Horizontal rotation limited to +/-160°

Vertical rotation from -90° to +40°

Variable pan speed: from 0.1°/s up to 40°/s

Variable tilt speed: from 0.1°/s up to 30°/s

Internal usable area (BxHxL): 104x70x280mm (4.1x2.7x11in)

Glass window (WxH): 118x75mm (4.6x2.9in)

ELECTRICAL/VIDEO

Input voltage: 230Vac or 24Vac, 50/60Hz, 120W

Absorbed current: 0.5° (230Vac), 1.0A (120Vac), 4.0A (24Vac)

Dimensions of input cables: AWG 16-30

Dimensions of signal cables: AWG 20-28

Alarm input: 10-35Vdc

Clean contacts: max 50Vdc or 30Vac @ 1A

Video line: coaxial cable (1Vpp, 75Ohm)

Integrated housings heater: 24Vac, 20W max

Integrated housing with wiper option: 24Vac, 50/60Hz, 7W consumption

Camera output: 12Vdc, 800mA

Lens output: 6-15Vdc, max 200mA

Only for polarity inversion lenses

Autopan, Preset, Patrol

250 max preset selectable (Videotec Macro Protocol)

20 characters string for Area and Preset titling

Preset accuracy: 0.02°

COMMUNICATIONS

OSM configuration

RS232 interface for PC control set-up and firmware upgrade

Two RS485 ports for daisy chain configuration, RS422

Addressable through dip-switch up 255 units

PROTOCOL

MACRO

PELCO D

SENSORMATIC

VISTA

Pelco, Sensormatic and Vista are registered trademarks.

Ulisse may be interfaced with equipment not manufactured by Videotec. It is possible that the interface protocols have changed or are in a different configuration from earlier tested units. Videotec recommends a bench test prior to installation. Videotec will not be liable for any installation costs or lost revenues in the event a compatibility problem will occur.

ACCESSORIES

IR10BD Infrared LED illuminator 10°, 12-24Vac/dc

IR20BD Infrared LED illuminator 20°, 12-24Vac/dc

IR60BD Infrared LED illuminator 60°, 12-24Vac/dc

ULISSE WITH IR LED ILLUMINATORS

POSITIONING UNIT FOR DAY AND NIGHT SURVEILLANCE



IRPSBD	Power supply IN 230Vac, OUT 24Vac for IRBD series infrared LED illuminators
UPTWBA	Wall bracket with internal cable channel
UPTWBTA	Parapet bracket with internal cable channel

RELATED PRODUCTS

PTCC1	Pole mount adaptor for UPTWBA
WCWGC	Corner adaptor for UPTWBA
SM42A-82A	Matrix 4/8 input and 2 output
SM84A-164A	Matrix 8/16 input and 4 output
SM328A	Matrix 32 input and 8 output
DCJ	Matrix, Mux and Telemetry Control Keyboard with three axis joystick
DCT	Matrix, Mux, DVR and Telemetry Control Keyboard touch screen equipped with three axis joystick
UPTWAS01B	Reservoir 25l with pump, 230Vac
UPTWAS02B	Reservoir 25l with pump, 24Vac
UPTWASA01B	Reservoir 25l with pump, high delivery up to 30m, 230Vac

ENVIRONMENT

Indoor / Outdoor
Operating temperature with heater, without block camera: -20°C / +60°C (-4°F / +140°F)
Operating temperature with heater, with block camera: -20°C / +50°C (-4°F / +122°F)

COMPLIANCE TO

CE according to EN60950, EN61000-3-2 and EN50130-4
FCC part 15
IP66 according to EN60529

8

INTEGRATED POSITIONING UNITS



Unit Weight:

UPT1SVRA000C 16.8kg / 37lb
UPT1SVTA000C 17.3kg / 38lb
UPT1PVRA000C 16.8kg / 37lb
UPT1PVTA000C 17.3kg / 38.1lb

Package Weight:

UPT1SVRA000C 20kg / 44.1lb
UPT1SVTA000C 20.5kg / 45.2lb
UPT1PVRA000C 20kg / 44.1lb
UPT1PVTA000C 20.5kg / 45.2lb

Package Dimension (BxHxL):

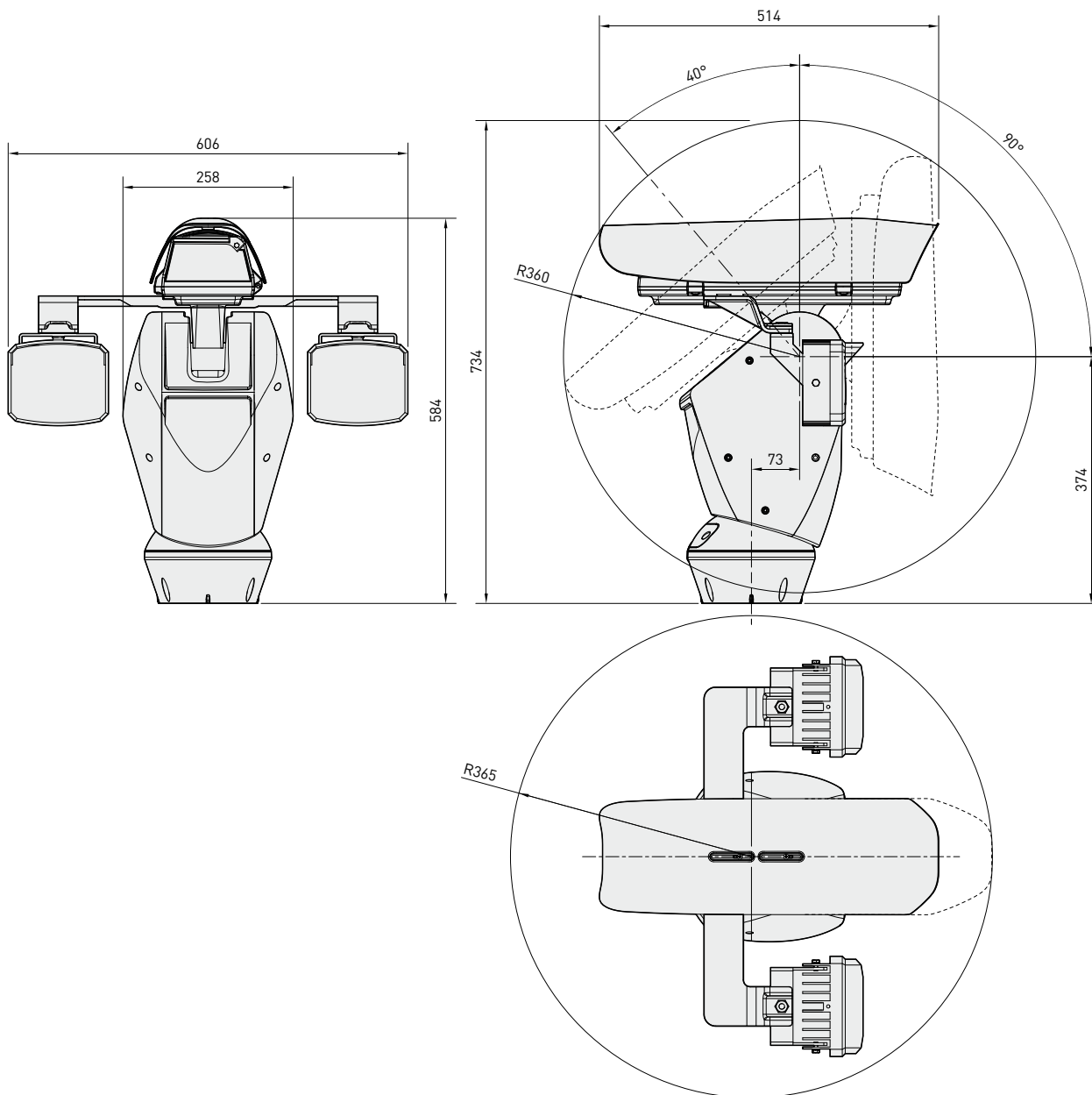
UPT1SVRA000C 66x33x57cm / 26x13x22.5in
UPT1SVTA000C 66x33x57cm / 26x13x22.5in
UPT1PVRA000C 66x33x57cm / 26x13x22.5in
UPT1PVTA000C 66x33x57cm / 26x13x22.5in

Master Carton:

UPT1SVRA000C -
UPT1SVTA000C -
UPT1PVRA000C -
UPT1PVTA000C -

ULISSE WITH IR LED ILLUMINATORS

POSITIONING UNIT FOR DAY AND NIGHT SURVEILLANCE



The values are in millimeters.

8

INTEGRATED POSITIONING UNITS